

Refract 180mm Pendant

PCH205

Product Family

Refract

In matt white glass on a satin nickel finish and black braided cable suspension.

Finish

White

Arrangement

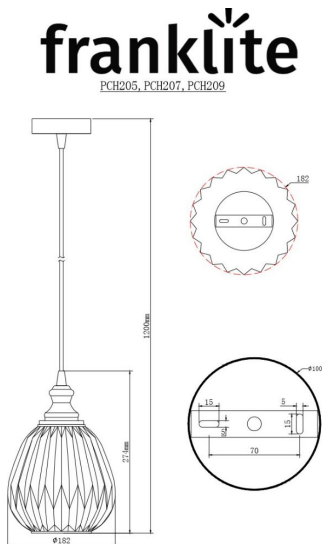
1 Light

Fixure Type

Pendant



Line Drawing Image



Product Specifications

| | |
|-----------------|---|
| Insulation | : Class 2 - double insulation, no earth |
| IP Rating | : 20 |
| Number of Lamps | : 1 |
| Lamp cap | : E27 |
| Lamp Code | : L268 |
| Lamp Max | : 60 W |
| Lumens | : 806 |
| LED K | : 2700 |
| Height | : 270mm |
| Stock Weight | : 1.60 kg |
| Diameter | : 180 mm |
| Min Drop | : 350 mm |
| Max Drop | : 1520 mm |
| Dimmable | : Yes |

